

BYEP40AW1(6)/BYEP63AW1(6)

1P354288-1B

### To those doing installation work

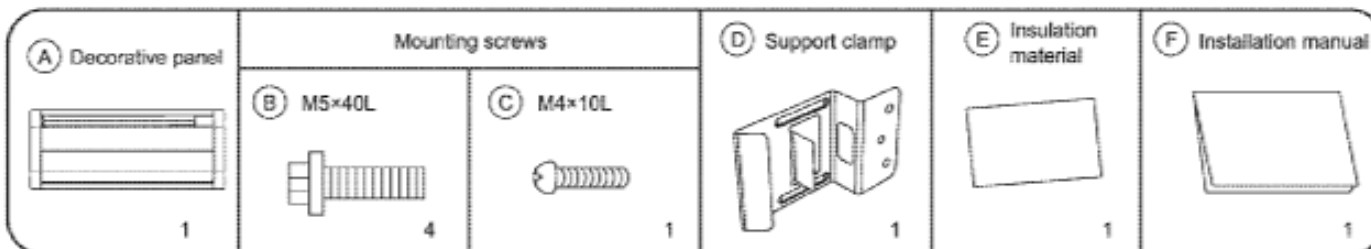
Demonstrate the actual operating process to the users and explain them how to operate properly (especially methods of air filter cleaning, operation running and temperature regulating) while reading the operation manuals of both indoor units and remote controller.

### Precautions

Refer to the operation & installation manual included with the indoor units.

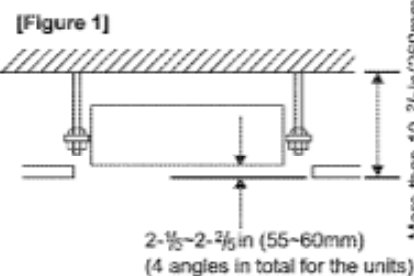
## 1 Check accessories

Check if the following parts are supplied with the accessories.



## 2 Check items before installation

- (A)** Before installing the decorative panel, check the following items in accordance with the operation & installation manual included with the indoor units.
- If the distance from the bottom of the indoor units to the ceiling's lower surface is proper. (Refer to Figure 1)
  - If the indoor units are installed in parallel with the ceiling opening hole.
  - If the refrigerant piping, drain piping have been insulated properly and wires connected well.



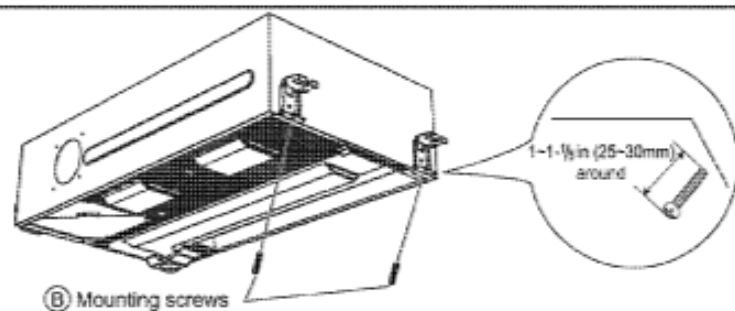
### <Note>

- Do not place the decorative panel with its exposed surface facing downward. Do not hang or put on the protrusions. Failure to do so may result in damage to the panel's surface.
- Do not touch or put stress to the horizontal flap while preparing or carrying the decorative panel. Failure to do so may result in malfunction.

## 3 Decorative panel installation

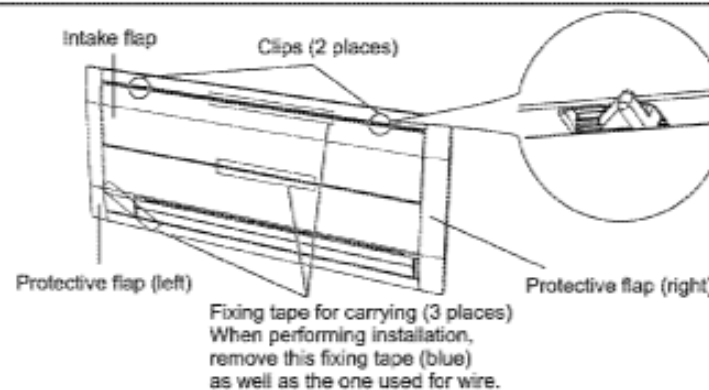
### [1] Indoor unit's preparation

- ① As shown in the figure, temporarily fix the indoor units using 2 included **(B)** mounting screws (M5×40L) and keep the screws 1-1/8 in (25-30mm) left outside.

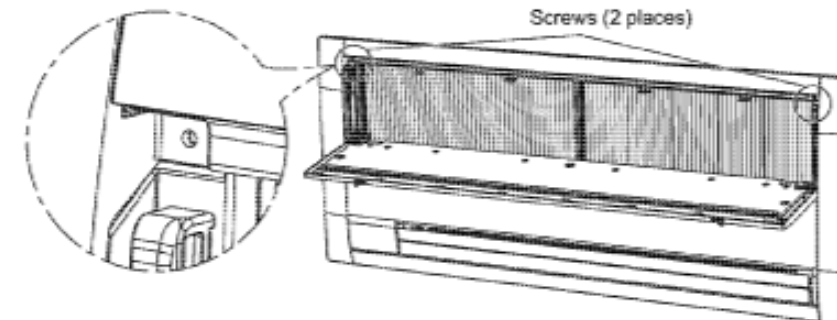


### [2] Decorative panel preparation

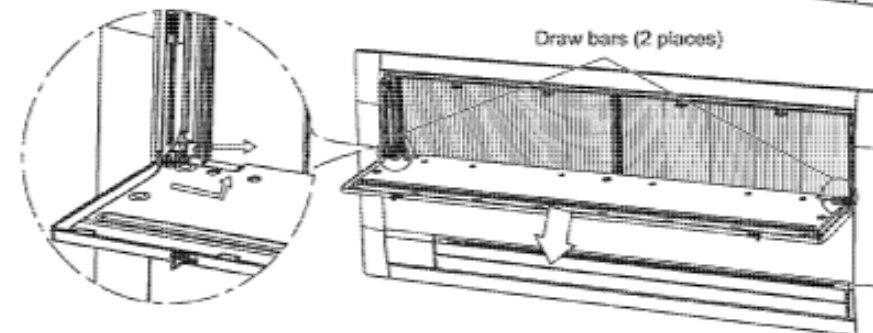
- ① Remove the intake flap, protective flaps (left and right) and air filter from the **(A)** decorative panel which has been unpacked from its box.
- ①-1 Slowly pull the 2 clips on both left and right sides toward inner side to open the intake flap.



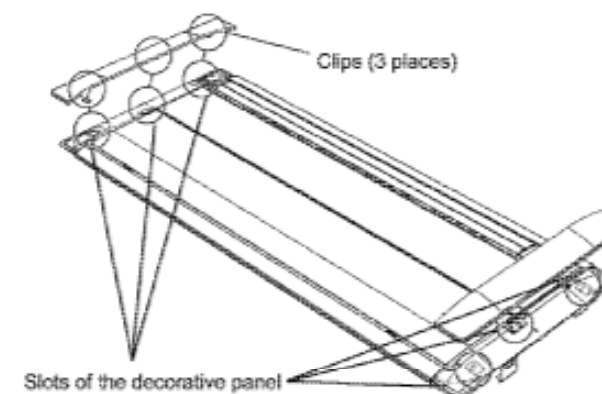
- ①-2 Remove the screws (2 places) of the protective flaps (left and right).



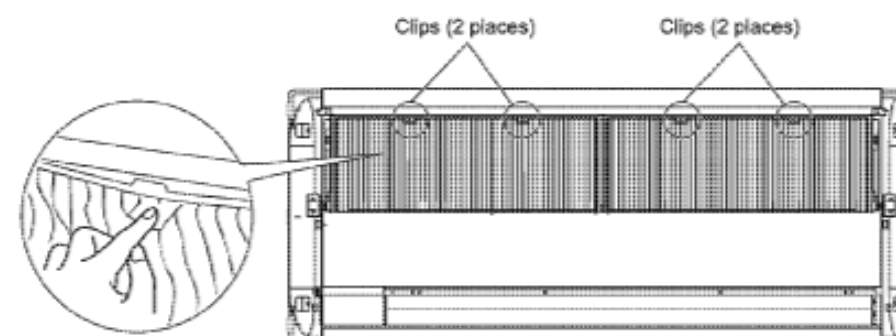
- ①-3 Slightly bring the draw bars (2 places) of the intake flap toward inner side and push them over upward. Then pull the draw bars toward inner side again in the arrow direction to remove the intake grille.



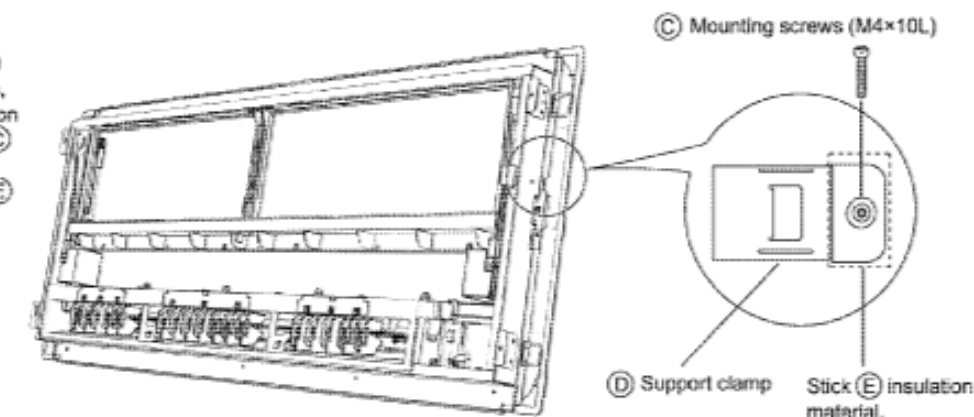
- ①-4 Remove the protective flaps: detach the clips (3 places each) of the flaps from the slots of the decorative panel. Put stress toward inner side from both upper and lower ends to make the flaps bend and take down the clips (2 places). Then hold the middle part around and pull right ahead to loosen the remaining clip (1 place).



- ①-5 Pull the clips (2 places each) of the air filter downward to remove them.



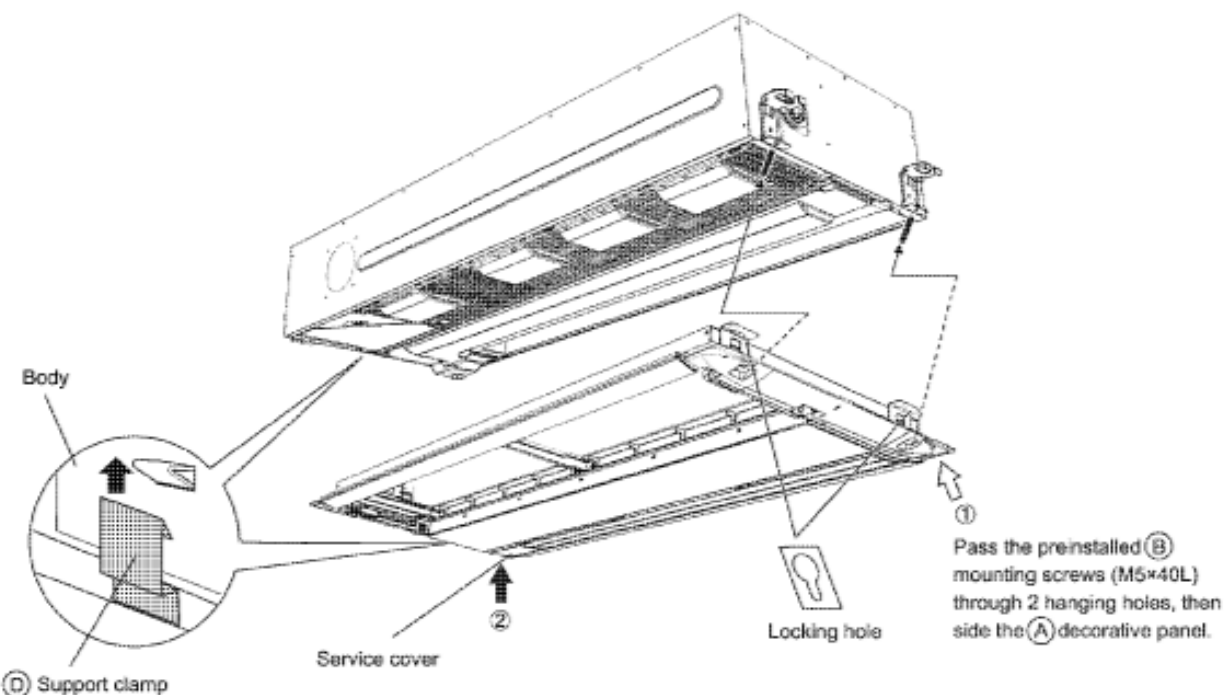
- ② With the panel facing inside, take out the **(D)** support clamp included with the accessories, align the protrusions of the side metal plate on the protective flap side and install with the **(C)** mounting screws (M4×10L). Then stick the **(E)** insulation material to the **(D)** support clamp.



### 3 Decorative panel installation 2

#### [3] Decorative panel installation

- ① Temporarily fix the decorative panel.
    - ①-1 Pass the screws installed in step "[1] Indoor unit's preparation" through the locking holes of the decorative panel and slide the decorative panel in arrow direction.
    - ①-2 Push the service cover side of the decorative panel upward and hang the unit body with the (D) support clamp to fix temporarily.
- Note:** Lead the suspension wire of the decorative panel into the electrical component box from the suction side when installing. Do not get the suspension wire of the decorative panel stuck in the sealing material.

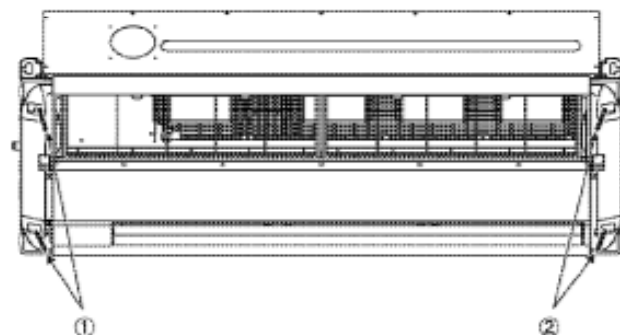


#### [4] Fasten the mounting screws.

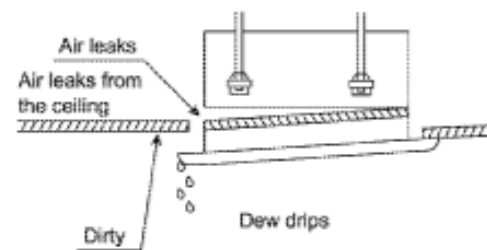
- ① Tighten the remaining 2 (D) mounting screws (M5×40L) on the (B) support clamp side.
- ② Tighten the 2 screws passed through the locking holes.

#### <Note>

- Make no gaps left between the indoor unit's body and the decorative panel or between the ceiling and the decorative panel.
- If there is any gaps, remove the decorative panel and adjust the height of the indoor units, then install the decorative panel again.

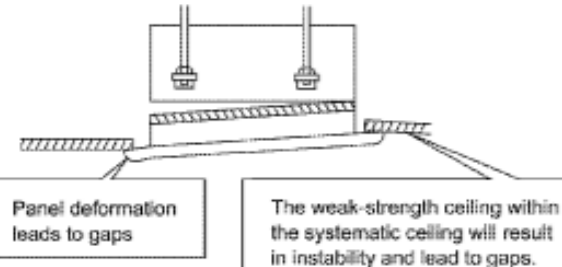


#### 1 Following improper situation will result in gaps.



- If the screws are not tight enough, to eliminate the gaps, fasten the screws completely using steps ① and ②.
- If the gaps still exist between the ceiling and the decorative panel even the screws have been fastened, adjust the height of the indoor unit's body again.

#### 2 Hanging the indoor unit's body overhigh will result in gaps in the figure below.

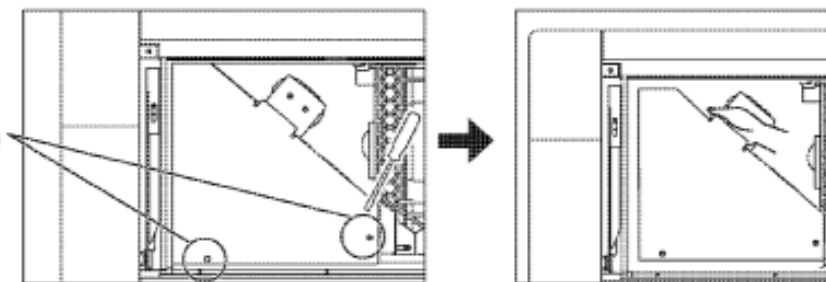


- Lower the suspension height of the indoor unit's body from the ceiling side.
- For the condition of weak-strength ceiling within the systematic ceiling, if gaps still exist after taking above measures, reinforce the opening part to make the ceiling solid enough.

### 4 Wiring connection

- ① Remove the electrical component flap (2 screws).

Screws (2 places)



- ② Compare the suspension wire connectors which connect the unit body and the decorative panel.

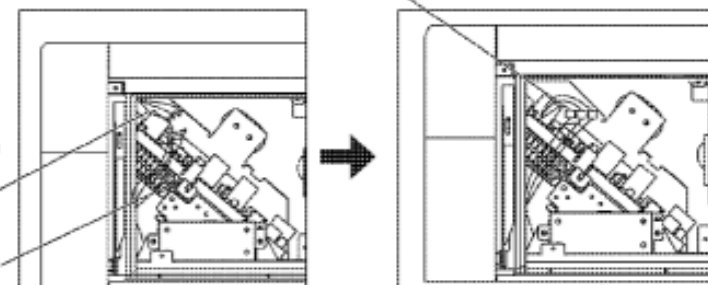
Insert and connect in order in accordance with the different colors of the decorative panel's suspension wire and the unit body's suspension wire socket.

- ③ Gather the wiring into the electrical component box and install the flap as original.

- Adjust the wiring and make sure the electrical component box is able to be closed or not protruded.
- Install the electrical component flap after checking the wiring connector is connected firmly.

Suspension wire of the decorative panel

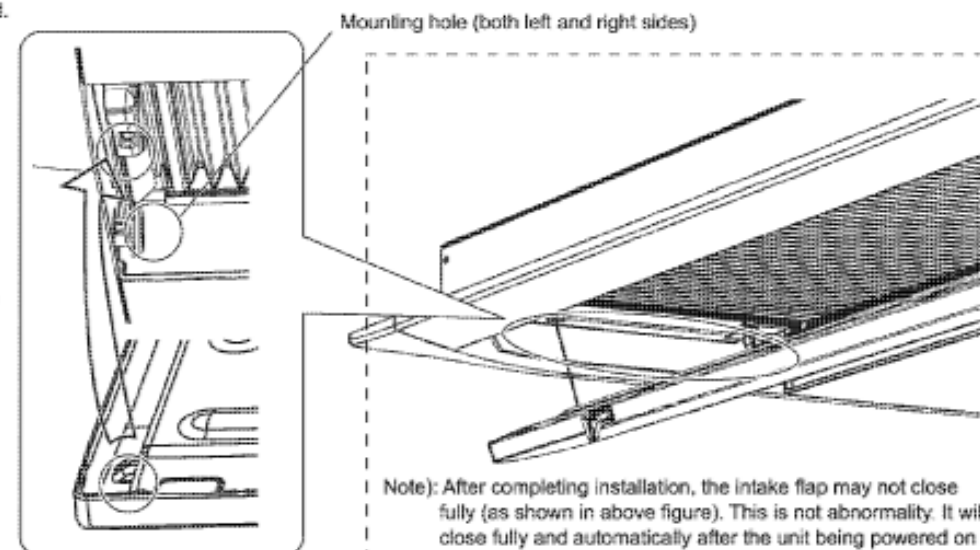
Suspension wire of the unit body



### 5 Suction side and protective flap installation

- ① Install the air filter.
- ② Install the protective flap.
- ③ Install the intake flap.
  - Insert the bolt on one side into the hole.
  - Align and insert the bolt on the other side into the flap hole while pulling the draw bar toward inner side. Refer to the ①-3 Resetting under "3. Decorative panel installation".
- ④ Close the intake flap. Press till a snapping sound is heard.

The sound will be produced if the protrusion on the inner side of the intake flap embeds into the slot of the draw bar.



### 6 Check items after installation

- If there is any gaps between the (A) decorative panel and the indoor units or between the (A) decorative panel and the ceiling.
- If the air filter is installed.

