

**DAIKIN**

# OPERATION MANUAL

## **VRV** SYSTEM Inverter Air Conditioners

### MODELS

#### Air Handling Unit

**FXTQ12PAVJU**

**FXTQ18PAVJU**

**FXTQ24PAVJU**

**FXTQ30PAVJU**

**FXTQ36PAVJU**

**FXTQ42PAVJU**

**FXTQ48PAVJU**

**FXTQ54PAVJU**

English

Français

Español

Read these instructions carefully before installation.  
Keep this manual in a handy place for future reference.  
This manual should be left with the equipment owner.

Lire soigneusement ces instructions avant l'installation.  
Conserver ce manuel à portée de main pour référence ultérieure.  
Ce manuel doit être donné au propriétaire de l'équipement.


Lea cuidadosamente estas instrucciones antes de instalar.  
Guarde este manual en un lugar a mano para leer en caso de tener alguna duda.  
Este manual debe permanecer con el propietario del equipo.


## Safety considerations


Read these "Safety Considerations for Operations" carefully before installing air conditioning equipment. After completing the installation, make sure that the unit operates properly during the startup operation. Instruct the customer on how to operate and maintain the unit.


Inform customers that they should store this Operation Manual with the Installation Manual for future reference.

Meanings of **DANGER**, **WARNING**, **CAUTION**, and **NOTE** Symbols:

 **DANGER** ..... Indicates an imminently hazardous situation which, if not avoided, will result in death or serious injury.

 **WARNING** ..... Indicates a potentially hazardous situation which, if not avoided, could result in death or serious injury.

 **CAUTION** ..... Indicates a potentially hazardous situation which, if not avoided, may result in minor or moderate injury. It may also be used to alert against unsafe practices.

 **NOTE**..... Indicates situations that may result in equipment or property-damage accidents only.

---

### **DANGER**

- Do not install the unit in an area where flammable materials are present due to risk of explosion resulting in serious injury or death.
- Any abnormalities in the operation of the air conditioner such as smoke or fire could result in severe injury or death. Turn off the power and contact your dealer immediately.
- Refrigerant gas may produce toxic gas if it come in contact with fire, such as from a fan, heater, stove, or cooking device. Exposure to this gas could cause severe injury or death.
- For refrigerant leakage, consult your dealer. Refrigerant gas is heavier than air and replaces oxygen. A massive leak could lead to oxygen depletion, especially in basements, and an asphyxiation hazard could occur leading to serious injury or death.
- If equipment utilizing a burner is used in the same room as the air conditioner, there is the danger of oxygen deficiency which could lead to an asphyxiation hazard resulting in serious injury or death. Be sure to ventilate the room sufficiently to avoid this hazard.
- Safely dispose of the packing materials. Packing materials, such as nails and other metal or wooden parts, may cause stabs or other injuries.
- Tear apart and throw away plastic packaging bags so that children will not play with them. Children playing with plastic bags face the danger of death by suffocation.

---

### **WARNING**

- Contact your dealer for repair and maintenance. Improper repair and maintenance may result in water leakage, electric shock, and fire. Only use accessories made by Daikin that are specifically designed for use with the equipment and have them installed by a professional.
- Contact your dealer to move and reinstall the air conditioner. Incomplete installation may result in water leakage, electric shock, and fire.
- Never let the indoor unit or the remote controller get wet. Water can cause an electric shock or a fire.
- Never use flammable spray such as hair spray, lacquer, or paint near the unit. Flammable spray may cause a fire.
- When a fuse blows out, never replace it with one of incorrect ampere ratings or different wires. Always replace any blown fuse with a fuse of the same specification.
- Never remove the fan guard of the unit. A fan rotating at high speed without the fan guard is very dangerous.
- Never inspect or service the unit by yourself. Contact a qualified service person to perform this work.
- Turn off all electrical power before doing any maintenance to avoid the risk of serious electric shock; never sprinkle or spill water or liquids on the unit.
- Do not touch the switch with wet fingers. Touching a switch with wet fingers can cause electric shock.
- Do not allow children to play on or around the unit to prevent injury.
- The heat exchanger fins are sharp enough to cut. To avoid injury wear gloves or cover the fins while working around them.
- Do not put a finger or other objects into the air inlet or air outlet. The fan is rotating at high speed and will cause injury.
- Check the unit foundation for damage on a continuous basis, especially if it has been in use for a long time. If left in a damaged condition the unit may cause injury.
- Placing a flower vase or other containers with water or other liquids on the unit could cause a shock or fire if a spill occurs.
- Do not touch the air outlet or horizontal blades while the swing flap is in operation because fingers could get caught and injured.
- Never touch the internal parts of the controller. Do not remove the front panel because some parts inside are dangerous to touch. To check and adjust internal parts, contact your dealer.

---

### **CAUTION**

- Do not use the air conditioner for any other purposes other than comfort cooling or heating. Do not use the unit for cooling precision instruments, food, plants, animals or works of art.
- Do not place items under the indoor unit as they may be damaged by condensates that may form if the humidity is above 80% or if the drain outlet gets blocked.

- Before cleaning, stop the operation of the unit by turning the power off or by pulling the supply cord out from its receptacle. Otherwise, an electric shock and injury may result.
- Do not wash the air conditioner with excessive water. An electric shock or fire may result.
- Avoid placing the controller in a spot splashed with water. Water entering the controller may cause an electric shock or damage the internal electronic parts.
- Do not operate the air conditioner when using a room-fumigation type of insecticide. Failure to observe this could cause the chemicals to be deposited in the unit and can endanger the health of those who are hypersensitive to chemicals.
- Do not turn off the power immediately after stopping operation. Always wait for at least five minutes before turning off the power. Otherwise, water leakage may occur.
- The appliance is not intended for use by young children or infirm persons without supervision.
- The remote controller should be kept away from children so they cannot play with it.
- Consult with the installation contractor for cleaning.
- Incorrect cleaning of the inside of the air conditioner could make the plastics parts break and cause water leakage or electric shock.
- Do not touch the air inlet or aluminum fin of the air conditioner as they can cut and cause injury.
- Do not place objects in direct proximity of the outside unit. Do not let leaves and other debris accumulate around the unit. Leaves are a hotbed for small animals which can enter the unit. Once inside the unit, animals can cause the unit to malfunction, and cause smoke or fire when they make contact with electrical parts.

---

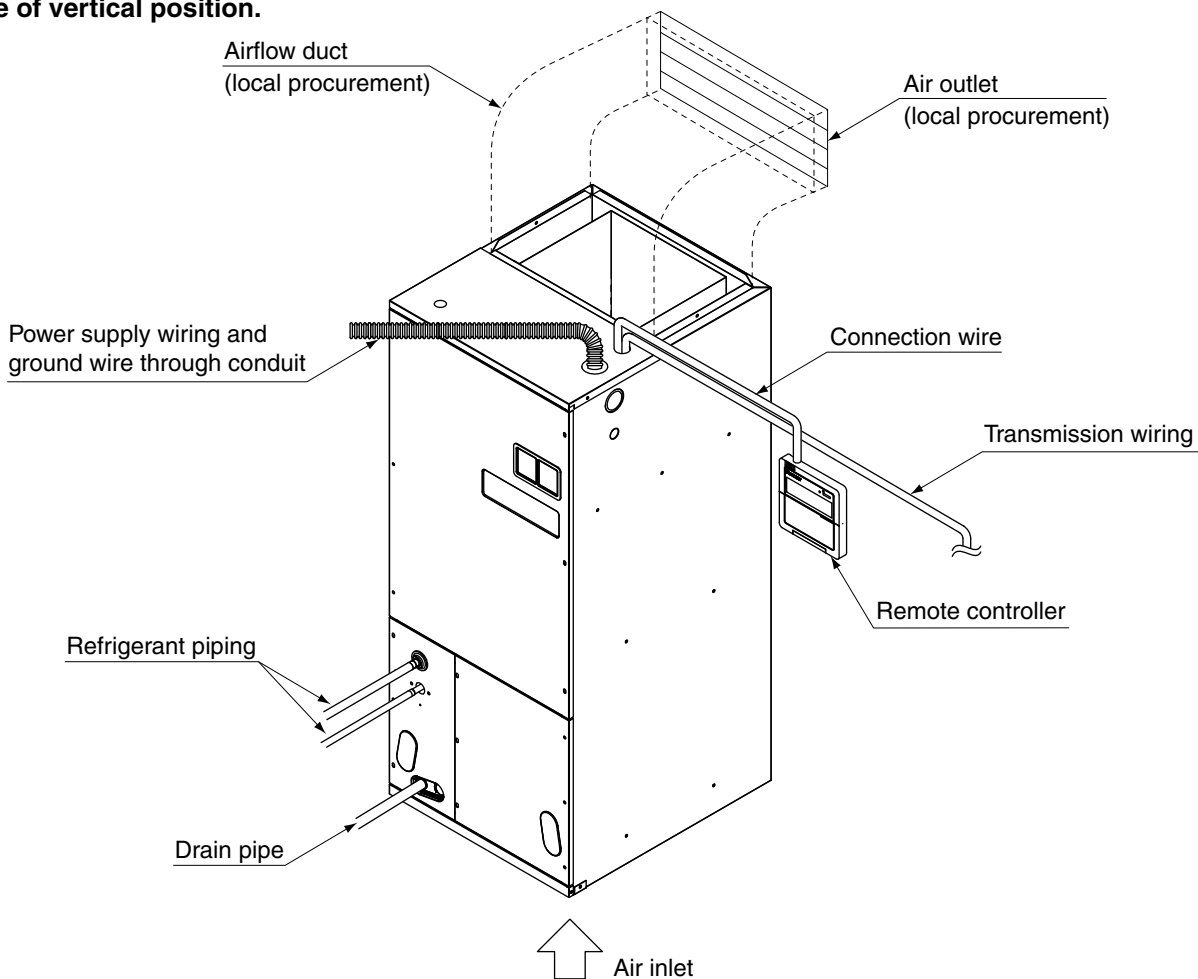
 **NOTE**

- Never press the button of the remote controller with a hard, pointed object. The remote controller may be damaged.
- Never pull or twist the electric wire of the remote controller. It may cause the unit to malfunction.
- Do not place appliances that produce open flames in places that are exposed to the air flow of the unit or under the indoor unit. It may cause incomplete combustion or deformation of the unit due to the heat.
- Do not expose the controller to direct sunlight. The LCD display can become discolored and may fail to display the data.
- Do not wipe the controller operation panel with benzene, thinner, chemical dust cloth, etc. The panel may get discolored or the coating can peel off. If it is heavily dirty, soak a cloth in water-diluted neutral detergent, squeeze it well and wipe the panel clean. Then wipe it with another dry cloth.
- Dismantling of the unit, disposal of the refrigerant, oil, and additional parts, should be done in accordance with the relevant local, state, and national regulations.

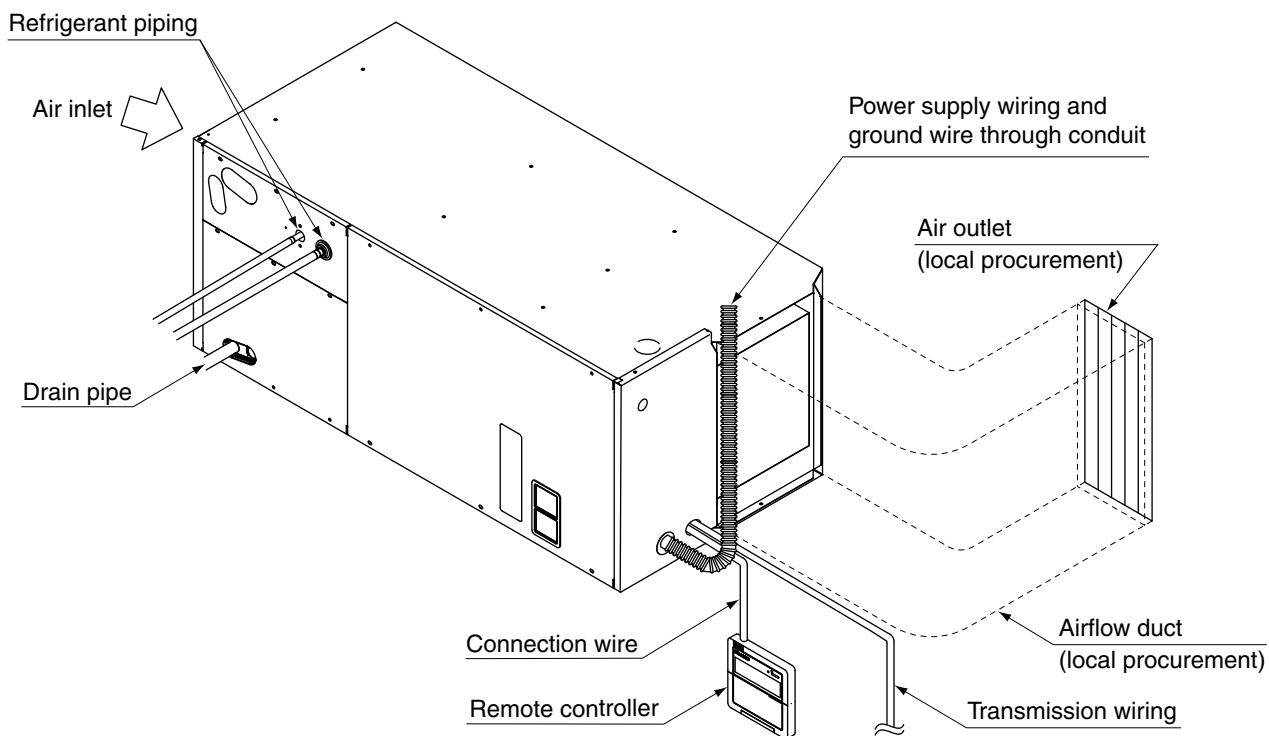
- Operate the air conditioner in a sufficiently ventilated area and not surrounded by obstacles. Do not use the air conditioner in the following places.
    - a. Places with a mist of mineral oil, such as cutting oil.
    - b. Locations such as coastal areas where there is a lot of salt in the air.
    - c. Locations such as hot springs where there is a lot of sulfur in the air.
    - d. Locations such as factories where the power voltage varies a lot.
    - e. In cars, boats, and other vehicles.
    - f. Locations such as kitchens where oil may splatter or where there is steam in the air.
    - g. Locations where equipment produces electromagnetic waves.
    - h. Places with an acid or alkaline mist.
    - i. Places where fallen leaves can accumulate or where weeds can grow.
  - Take snow protection measures. Contact your dealer for the details of snow protection measures, such as the use of a snow protection hood.
  - Do not attempt to do electrical work or grounding work unless you are licensed to do so. Consult with your dealer for electrical work and grounding work.
  - Pay Attention to Operating Sound. Be sure to use the following places:
    - a. Places that can sufficiently withstand the weight of the air conditioner yet can suppress the operating sound and vibration of the air conditioner.
    - b. Places where warm air from the air outlet of the outside unit or the operating sound of the outside unit does not annoy neighbors.
  - Make sure that there are no obstacles close to the outside unit. Obstacles close to the outside unit may drop the performance of the outside unit or increase the operating sound of the outside unit.
  - Consult your dealer if the air conditioner in operation generates unusual noise.
  - Make sure that the drainpipe is installed properly to drain water. If no water is discharged from the drainpipe while the air conditioner is in the cooling mode, the drainpipe may be clogged with dust or dirt and water leakage from the indoor unit may occur. Stop operating the air conditioner and contact your dealer.
-

## Part name and functions

In case of vertical position.



In case of horizontal position.



## Maintenance

### ⚠ WARNING

- Only a qualified person is allowed to perform maintenance without daily maintenance.
- Before touching any of connection wirings, be sure to turn off all power supply switches.
- For installation of optional parts, only a qualified person is allowed to do so.  
Be sure to use optional parts specified by our company. Installation in your own manner may result in water leakage, electric shock or fire.

### ⚠ CAUTION

- Be sure to stop operation and turn the power switch off before cleaning the air conditioner.  
Otherwise, an electric shock or injury may result.
- Do not wash the air conditioner with water.  
Doing so may result in an electric shock.
- Consult with installation contractor for cleaning the inside of the air conditioner.  
Wrong cleaning may make the plastics parts broken or cause failure of water leakage or electric shock.
- Use a stable stool.  
Use extra cautions when cleaning the air conditioner.

(Maintenance and inspection)

- Clean the drain pan periodically. The drain pipes clogged with dust will cause water leakage.
- For cleaning, consult with your Daikin dealer.  
(Before each season when cooling or heating is required, clean the air conditioner.)
- If the area around the indoor unit is very dusty, use a dust-proof cover (local procurement).

(Cleaning the inside of the indoor unit)

- It is necessary to clean the inside of the indoor unit periodically.  
Since the cleaning requires special technologies, request a Daikin dealer to clean them.

(Electric heater replacement interval)


- The electric heater should be replaced every ten years.  
This replacement interval is a guideline for ensuring safe and trouble-free operation of the product for many years.


### Daily maintenance:

(Cleaning the air filter)

- The air filter is an optional accessory.

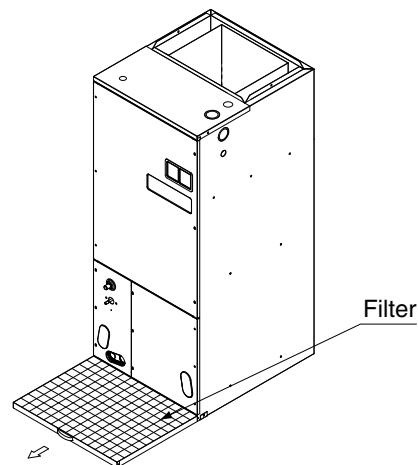
### Explanation

- Removing the air filter except when cleaning the air conditioner may result in accidents.
- When the  mark is displayed on the remote controller, please clean the filter.
- When the operating time exceeds the designated time, this mark will be displayed.
- If using the air conditioner under very dusty environment, increase the frequency of air filter cleaning.

- When you want to change the setting time until the  mark is displayed, consult with your dealer.  
(The default factory setting is 2500 hours.)
- There are the following time, display pattern.  
1250, 2500, 5000, 10000

## How to clean the air filter

### 1. Remove the air filter.



### 2. Clean the air filter.

Use a vacuum cleaner **A)** or wash the air filter with water **B)**.

**A)** Using a vacuum cleaner



**B)** Washing with water

When the air filter is very dirty, use soft brush and neutral detergent



Remove water and dry in the shade.

### ⚠ NOTE

- Do not wash it with hot water of more than 120°F. Doing so may result in discoloration and/or deformation.
- Do not expose it to fire. Doing so may result in burning.

### 3. Attach the air filter.

Once cleaning is done, be sure to replace the air filter as it was.

### 4. Push the “filter sign reset” button on the remote controller.

The display “” vanishes.

### ⚠ WARNING

- Do not let the indoor unit get wet as it may cause an electric shock or fire.

If the following phenomenon occurs, contact your dealer.

**⚠ DANGER**

- Any abnormalities in the operation of the air conditioner such as smoke or fire could result in severe injury or death.

Turn off the power and contact your dealer immediately for instructions.

**Phenomenon**

- The unit operates with the airflow rate at H speed even though the airflow rate was set to L speed using the remote controller during HEAT operation.

**Take the following actions before contact.**

Check to see if an optional electric heater is installed. The unit operates with the airflow rate at H speed during ELECTRIC HEATER operation regardless of the remote controller airflow rate setting or display.

**Phenomenon**

- The safety devices such as fuse, breaker, ground fault interrupter, etc. often operate or operations of the operation switch are unstable.

**Take the following actions before contact.**

Turn off the switch.

- If the ON/OFF switch does not properly work;

**Take the following actions before contact.**

Turn off the main power switch.

**Phenomenon**

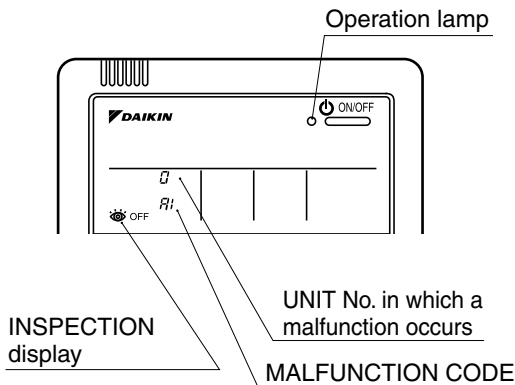
- Water leaks out from the air conditioner.

**Take the following actions before contact.**

Stop the operation.

**Phenomenon**

- The “OPERATION lamp”, “INSPECTION display” or “UNIT No.” is winking and lit, and “MALFUNCTION CODE” is displayed.



**Inform the dealer of the details being displayed on the remote controller.**

**DAIKIN AC (AMERICAS), INC.**

1645 Wallace Drive, Suite 110  
Carrollton, TX 75006

info@daikinac.com  
www.daikinac.com

**DAIKIN INDUSTRIES, LTD.**

Head office:

Umeda Center Bldg., 2-4-12, Nakazaki-Nishi,  
Kita-ku, Osaka, 530-8323 Japan

Tokyo office:

JR Shinagawa East Bldg., 2-18-1, Konan,  
Minato-ku, Tokyo, 108-0075 Japan

